

PROJECT

BOAT HOUSE DOCKOMINIUMS

160604

20965 Weberside Dr.
Lago Vista, TX

hollingsworth pack

Hollingsworth Pack
3801 S. Congress Ave. Suite 110
Austin, Texas 78704
p 512.452.1828
e chris@hollingsworthpack.com
Texas Firm F-12747

project team

GENERAL CONTRACTOR:
EMERSON DOCK SERVICE
CONTACT: SHAWN LAWRE
p 512.942.1828
e shawn@emersondock.com

STRUCTURAL ENGINEER:
HOLLINGSWORTH PACK
CONTACT: CHRIS HEWITT
p 512.275.6060
e chris@hollingsworthpack.com

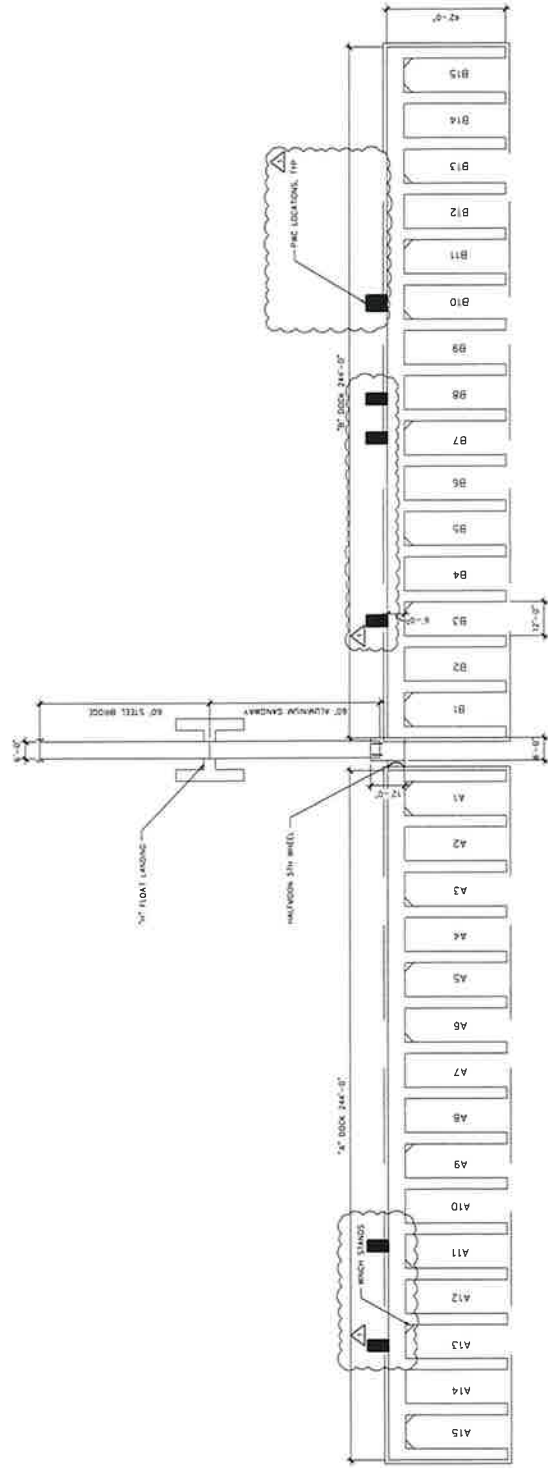


REVISION	DATE	SCALE	BY
1	2026.04.24	1/8" = 1'-0"	AL/CHE
2	2026.04.24	1/8" = 1'-0"	AL/CHE

DRAWING TITLE

MARINA SITE LAYOUT PLAN

PROJECT NO.	160604	DRAWN & CHECKED BY	AL/CHE
SHEET NO.	2026.04.24	SCALE	AS NOTED
SHEET NUMBER	S1.0		



1 MARINA SITE LAYOUT PLAN
SCALE: 1/8" = 1'-0"

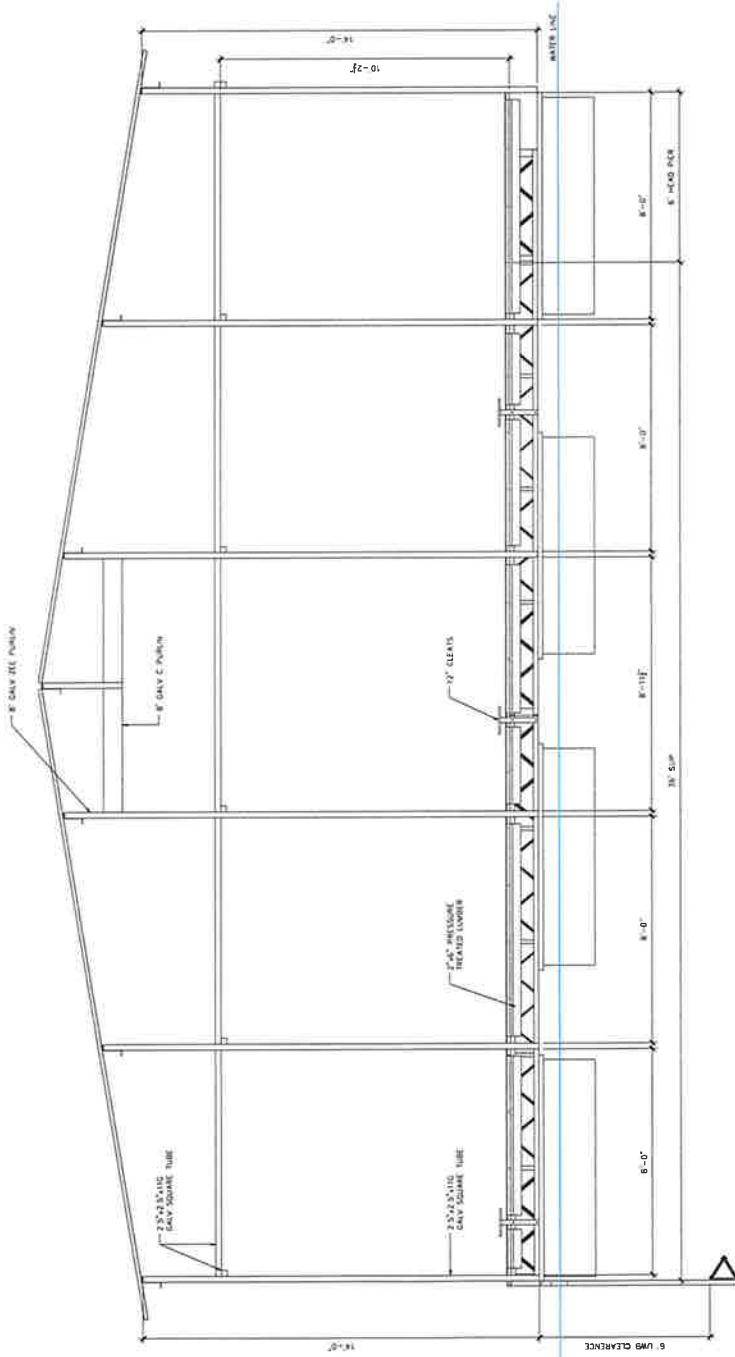
RECEIVED

08 2026

WATER SURFACE MANAGEMENT

RECEIVED
MAY 08 2026
WATER SURFACE
MANAGEMENT

BOAT HOUSE DOCKMINIUMS LOCATION 20965 Waterside Dr. Lago Vista, TX	
hollingsworth pack Hollingsworth Pack 3801 S. Congress Ave, Suite 110 Austin, TX 78746 p 512 275 6690 e chris.h@holl-pack.com Texas Firm F-12747	
project team GENERAL CONTRACTOR HOLLINGSWORTH PACK CONTACT: SHARON LOWIE p 512 942 1828 e sharon.l@hollingsworthpack.com STRUCTURAL ENGINEER HOLLINGSWORTH PACK CONTACT: CHRIS HEWITT p 512 275 6690 e chris.h@holl-pack.com	
REVISION DATE 2024-03-26 2024-04-24	ISSUE TITLE PCHM1 SET DESIGN COMMENTS
DRAWING TITLE MARINA ELEVATION VIEW	
PROJECT NO 20-2103	DRAWN & CHECKED BY JLT/DC
DATE 2025.04.24	SCALE AS NOTED
SHEET NUMBER S2.0	



1 MARINA ELEVATION VIEW
SCALE: 1/2" = 1'-0"

PROJECT
BOAT HOUSE DOCKMINIUMS

LOCATION
 20965 Waterside Dr.
 Lago Vista, TX

hollingsworth pack

Hollingsworth Pack
 8891 S. Congress Ave. Suite 110
 Austin, TX 78704
 p (512) 275-6860
 e chris.h@hwp-pack.com
 Texas Firm F-12747

Project team

GENERAL CONTRACTOR:
 BEHRENS & BERKELEY SERVICE
 CONTACT: Shaun Lowrie
 p 512.942.1828
 e shaun.lowrie@bhbservice.com

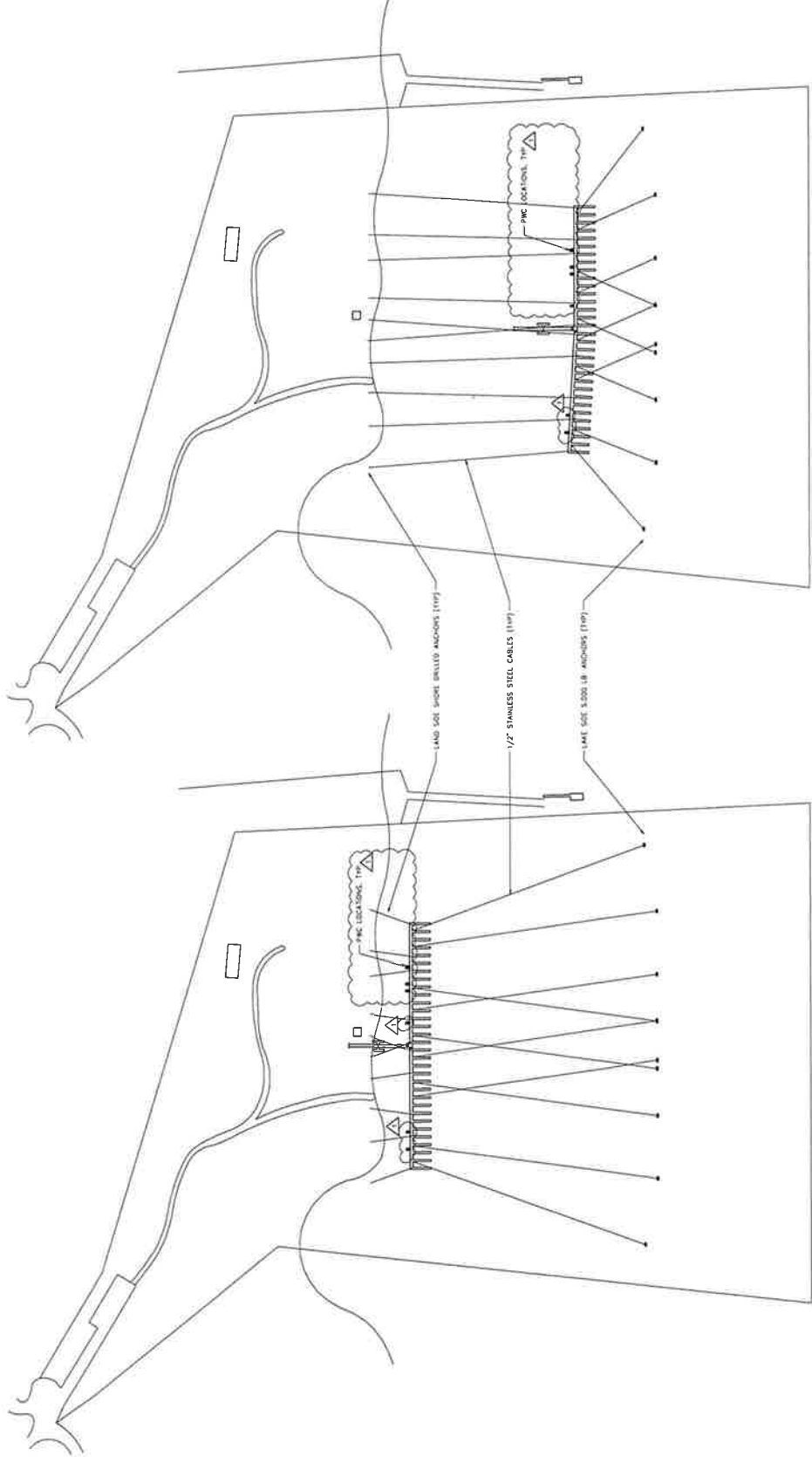
STRUCTURAL ENGINEER:
 HOLLINGSWORTH PACK
 CONTACT: CHRIS HEWITT
 p 512.275.6860
 e chris.h@hwp-pack.com



REVISION	DATE	SCALE	TITLE
1	2026.04.24		PERMIT SET
2	2026.04.24		PERMIT COMMENTS

DRAWING TITLE
MARINA ANCHOR PLAN

DRAWING NO.	26-2102	DRAWN & CHECKED BY	JL/DCE
DATE	2026.04.24	SCALE	AS NOTED
SHEET NUMBER		S2.1	



LOW WATER PLAN

HIGH WATER PLAN

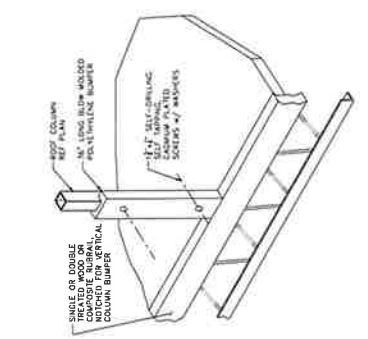
1 MARINA ANCHOR PLAN

RECEIVED

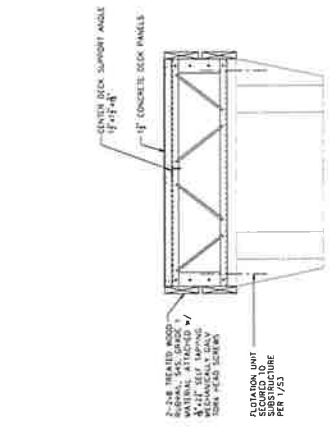
MAY 08 2026

WATER SURFACE
 MANAGEMENT

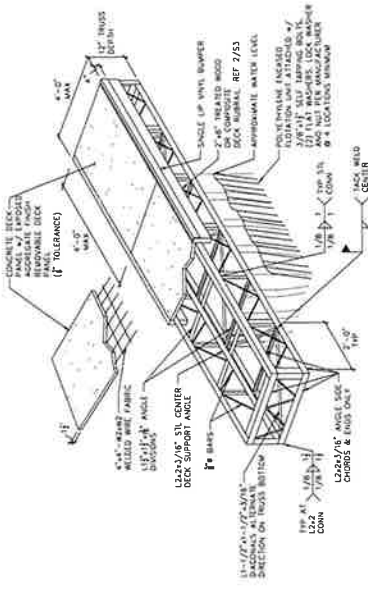
PROJECT		BOAT HOUSE DOCKMINIUMS	
LOCATION		20965 Waterside Dr., Lago Vista, TX	
DRAWING TITLE		hollingsworth pack	
DESIGNER		Hollingsworth Pack 3801 S. Congress Ave. Suite 110 Austin, TX 78746 p (512) 275-6690 e chris.h@holl-pack.com Texas Firm F-12747	
PROJECT TEAM		GENERAL CONTRACTOR HOLLINGSWORTH PACK CONTACT: CHRIS HEWITT p 512.275.6690 e chris.h@holl-pack.com	
STRUCTURAL ENGINEER		HOLLINGSWORTH PACK CONTACT: CHRIS HEWITT p 512.275.6690 e chris.h@holl-pack.com	
DATE		2024-03-28	
SCALE		AS SHOWN	
PROJECT NO.		30-202	
DATE		2024-04-24	
SHEET NUMBER		S3.0	



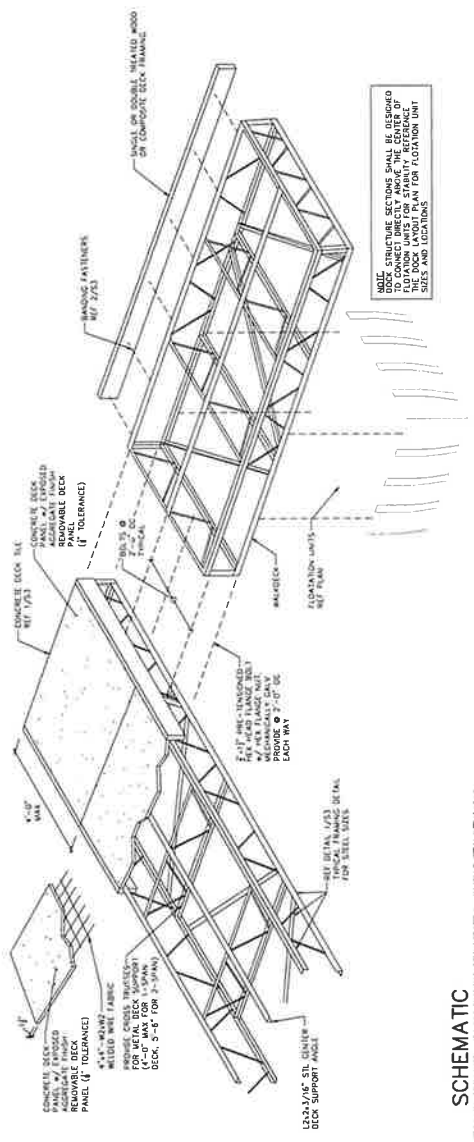
3 ROOF COLUMN BUMPER DETAIL



2 DOCK FRAME CROSS SECTION



1 TYPICAL FRAMING DETAIL

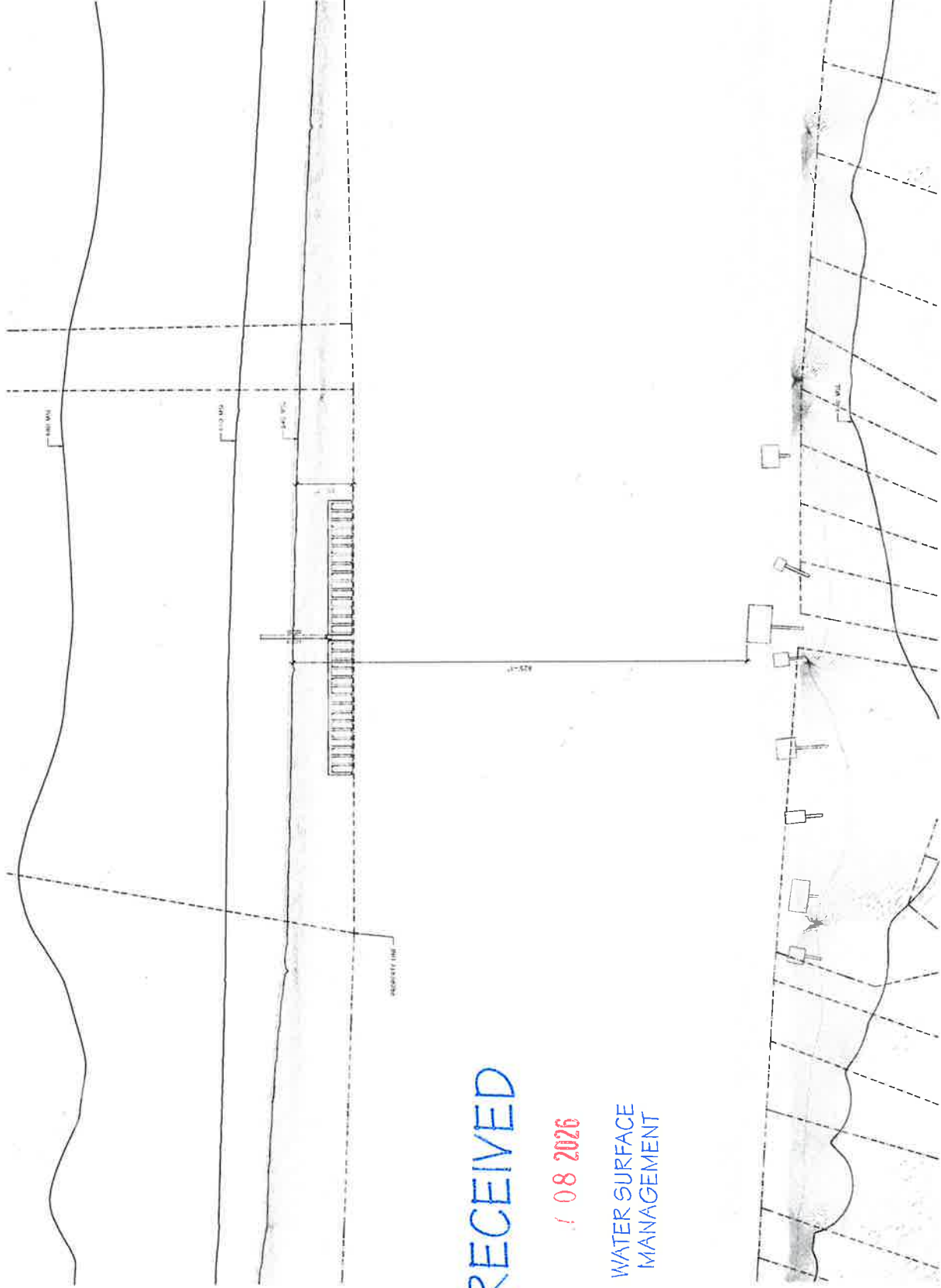


4 SCHEMATIC DOCK STRUCTURE ASSEMBLY

RECEIVED

MAY 08 2026

WATER SURFACE MANAGEMENT




RECEIVED

08 2026

WATER SURFACE
MANAGEMENT

1 SITE PLAN at 640 MSL
SCALE: 1" = 40'-0"

BOAT HOUSE DOCKMINIUMS LOCATION: 20865 WaterSide Dr, Lago Vista, TX		hollingsworth pack Hollingsworth Pack 3801 S. Congress Ave. Suite 110 Austin, TX 78746 (512) 975-6040 e chris@hollpack.com Texas Firm F-12747		project team GENERAL CONTRACTOR: HOLLINGSWORTH PACK CONTACT: SHANE LOWE p 512 942 1828 e shane@hollingsworthpack.com STRUCTURAL ENGINEER: HOLLINGSWORTH PACK CONTACT: CHRIS HEWITT p 512 975 6040 e chris@hollpack.com		 REVISION DATE: 08/17/21 DRAWN BY: SHANE LOWE CHECKED BY: CHRIS HEWITT DATE: 2/28/24 SCALE: AS NOTED SHEET NUMBER:	
		SITING PLAN at 640 MSL		PROJECT NO: 36-2102 DRAWN & CHECKED BY: SL/CHL DATE: 2/28/24 SCALE: AS NOTED SHEET NUMBER:		S1.0	



1 SITE PLAN at 660 MSL
SCALE: AS NOTED

BOAT HOUSE DOCKMINIUMS
20865 Waterside Dr.
Lago Vista, TX

hollingsworth pack
Hollingsworth Pack
3801 S. Congress Ave, Suite 110
Austin, TX 78746
p (512) 275-6600
e chris@hollpack.com
Texas Firm F-12747

project team
GENERAL CONTRACTOR:
CONTACT: Shane Lowrie
p 512-442-1828
e shane@shaneandsondiv.com

STRUCTURAL ENGINEER:
HOLLINGSWORTH PACK
CONTACT: CHRIS HEWITT
p 512-275-6600
e chris@hollpack.com



REVISION	DATE	DESCRIPTION
1	08/08/2026	ISSUE FOR PERMIT SET
2	08/08/2026	ISSUE FOR PERMIT SET
3	08/08/2026	ISSUE FOR PERMIT SET
4	08/08/2026	ISSUE FOR PERMIT SET
5	08/08/2026	ISSUE FOR PERMIT SET
6	08/08/2026	ISSUE FOR PERMIT SET
7	08/08/2026	ISSUE FOR PERMIT SET
8	08/08/2026	ISSUE FOR PERMIT SET
9	08/08/2026	ISSUE FOR PERMIT SET
10	08/08/2026	ISSUE FOR PERMIT SET
11	08/08/2026	ISSUE FOR PERMIT SET
12	08/08/2026	ISSUE FOR PERMIT SET
13	08/08/2026	ISSUE FOR PERMIT SET
14	08/08/2026	ISSUE FOR PERMIT SET
15	08/08/2026	ISSUE FOR PERMIT SET
16	08/08/2026	ISSUE FOR PERMIT SET
17	08/08/2026	ISSUE FOR PERMIT SET
18	08/08/2026	ISSUE FOR PERMIT SET
19	08/08/2026	ISSUE FOR PERMIT SET
20	08/08/2026	ISSUE FOR PERMIT SET
21	08/08/2026	ISSUE FOR PERMIT SET
22	08/08/2026	ISSUE FOR PERMIT SET
23	08/08/2026	ISSUE FOR PERMIT SET
24	08/08/2026	ISSUE FOR PERMIT SET
25	08/08/2026	ISSUE FOR PERMIT SET
26	08/08/2026	ISSUE FOR PERMIT SET
27	08/08/2026	ISSUE FOR PERMIT SET
28	08/08/2026	ISSUE FOR PERMIT SET
29	08/08/2026	ISSUE FOR PERMIT SET
30	08/08/2026	ISSUE FOR PERMIT SET
31	08/08/2026	ISSUE FOR PERMIT SET
32	08/08/2026	ISSUE FOR PERMIT SET
33	08/08/2026	ISSUE FOR PERMIT SET
34	08/08/2026	ISSUE FOR PERMIT SET
35	08/08/2026	ISSUE FOR PERMIT SET
36	08/08/2026	ISSUE FOR PERMIT SET
37	08/08/2026	ISSUE FOR PERMIT SET
38	08/08/2026	ISSUE FOR PERMIT SET
39	08/08/2026	ISSUE FOR PERMIT SET
40	08/08/2026	ISSUE FOR PERMIT SET
41	08/08/2026	ISSUE FOR PERMIT SET
42	08/08/2026	ISSUE FOR PERMIT SET
43	08/08/2026	ISSUE FOR PERMIT SET
44	08/08/2026	ISSUE FOR PERMIT SET
45	08/08/2026	ISSUE FOR PERMIT SET
46	08/08/2026	ISSUE FOR PERMIT SET
47	08/08/2026	ISSUE FOR PERMIT SET
48	08/08/2026	ISSUE FOR PERMIT SET
49	08/08/2026	ISSUE FOR PERMIT SET
50	08/08/2026	ISSUE FOR PERMIT SET
51	08/08/2026	ISSUE FOR PERMIT SET
52	08/08/2026	ISSUE FOR PERMIT SET
53	08/08/2026	ISSUE FOR PERMIT SET
54	08/08/2026	ISSUE FOR PERMIT SET
55	08/08/2026	ISSUE FOR PERMIT SET
56	08/08/2026	ISSUE FOR PERMIT SET
57	08/08/2026	ISSUE FOR PERMIT SET
58	08/08/2026	ISSUE FOR PERMIT SET
59	08/08/2026	ISSUE FOR PERMIT SET
60	08/08/2026	ISSUE FOR PERMIT SET
61	08/08/2026	ISSUE FOR PERMIT SET
62	08/08/2026	ISSUE FOR PERMIT SET
63	08/08/2026	ISSUE FOR PERMIT SET
64	08/08/2026	ISSUE FOR PERMIT SET
65	08/08/2026	ISSUE FOR PERMIT SET
66	08/08/2026	ISSUE FOR PERMIT SET
67	08/08/2026	ISSUE FOR PERMIT SET
68	08/08/2026	ISSUE FOR PERMIT SET
69	08/08/2026	ISSUE FOR PERMIT SET
70	08/08/2026	ISSUE FOR PERMIT SET
71	08/08/2026	ISSUE FOR PERMIT SET
72	08/08/2026	ISSUE FOR PERMIT SET
73	08/08/2026	ISSUE FOR PERMIT SET
74	08/08/2026	ISSUE FOR PERMIT SET
75	08/08/2026	ISSUE FOR PERMIT SET
76	08/08/2026	ISSUE FOR PERMIT SET
77	08/08/2026	ISSUE FOR PERMIT SET
78	08/08/2026	ISSUE FOR PERMIT SET
79	08/08/2026	ISSUE FOR PERMIT SET
80	08/08/2026	ISSUE FOR PERMIT SET
81	08/08/2026	ISSUE FOR PERMIT SET
82	08/08/2026	ISSUE FOR PERMIT SET
83	08/08/2026	ISSUE FOR PERMIT SET
84	08/08/2026	ISSUE FOR PERMIT SET
85	08/08/2026	ISSUE FOR PERMIT SET
86	08/08/2026	ISSUE FOR PERMIT SET
87	08/08/2026	ISSUE FOR PERMIT SET
88	08/08/2026	ISSUE FOR PERMIT SET
89	08/08/2026	ISSUE FOR PERMIT SET
90	08/08/2026	ISSUE FOR PERMIT SET
91	08/08/2026	ISSUE FOR PERMIT SET
92	08/08/2026	ISSUE FOR PERMIT SET
93	08/08/2026	ISSUE FOR PERMIT SET
94	08/08/2026	ISSUE FOR PERMIT SET
95	08/08/2026	ISSUE FOR PERMIT SET
96	08/08/2026	ISSUE FOR PERMIT SET
97	08/08/2026	ISSUE FOR PERMIT SET
98	08/08/2026	ISSUE FOR PERMIT SET
99	08/08/2026	ISSUE FOR PERMIT SET
100	08/08/2026	ISSUE FOR PERMIT SET

RECEIVED
08 08 2026
WATER SURFACE
MANAGEMENT

S4.1



① SITE PLAN at 680 MSL
SCALE: 1" = 40'-0"

BOAT HOUSE DOCKMINIUMS
20965 WaterSide Dr.
Lago Vista, TX

hollingsworth pack
Hollingsworth Pack
3801 S. Congress Ave. Suite 110
Austin, TX 78746
P (512) 275-6090
E chris.h@hol-pack.com
Texas Firm F-12747

project team
GENERAL CONTRACTOR SERVICE
CONTACT: Shane Lowe
P 512.962.1828
E shane@elabcontractorservice.com

STRUCTURAL ENGINEER
HOLLINGSWORTH PACK
CONTACT: CHRIS HEWITT
P 512.275.6090
E chris.h@hol-pack.com



NO/ISSUE	DATE	ISSUE TITLE
1	2020-04-24	ISSUE COMMENTS
DRAWING TITLE		
PROJECT NO.		
DRAWN & CHECKED BY:		
SCALE		
DATE		
AS NOTED		
SHEET NUMBER		

SITEPLAN
at 680 MSL

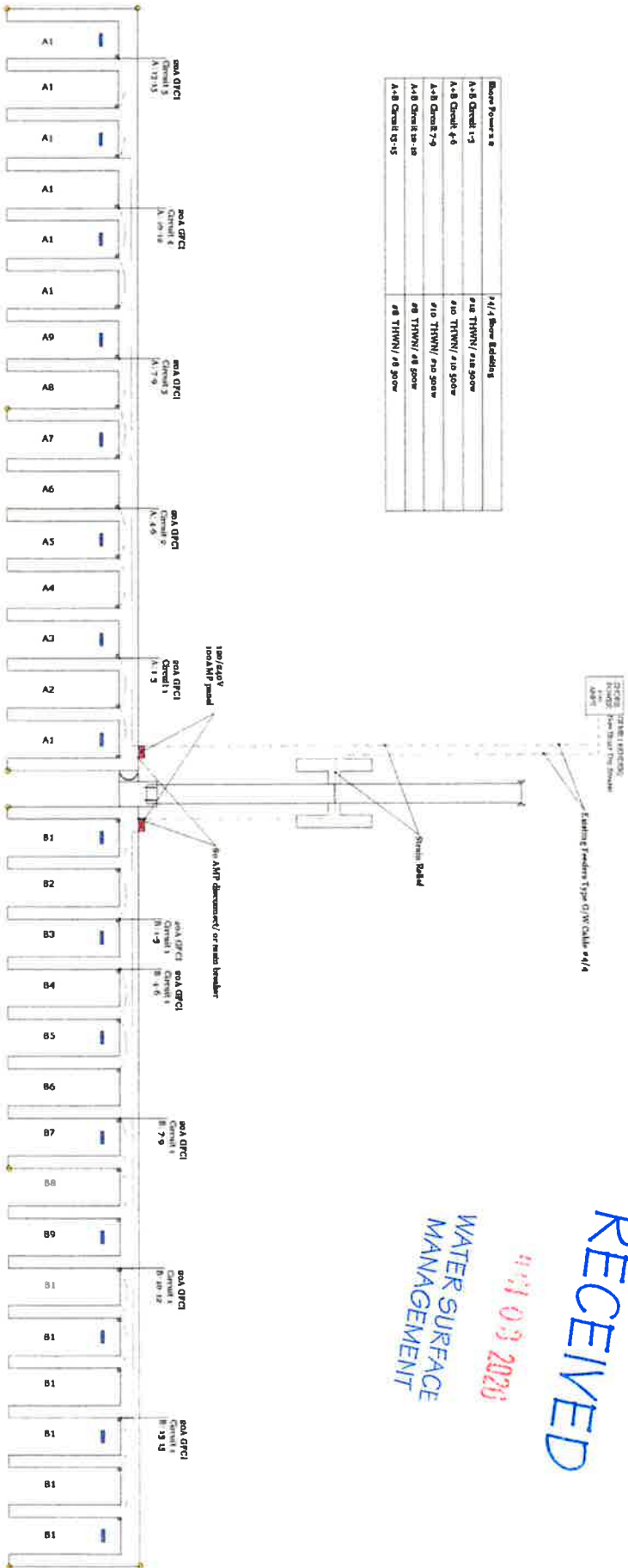
PROJECT NO. 30-202
DRAWN & CHECKED BY: AS/CP
SCALE: AS NOTED
DATE: 2020-04-24
SHEET NUMBER: S1.2

RECEIVED

MAY 08 2026

WATER SURFACE
MANAGEMENT

Power Source	2-1/2 Store Buildings
A-18 Circuit 1-3	410 THWN / 410 300w
A-18 Circuit 4-6	410 THWN / 410 300w
A-18 Circuit 7-9	410 THWN / 410 300w
A-18 Circuit 10-15	410 THWN / 410 300w



RECEIVED

4/11/03 2020

WATER SURFACE
MANAGEMENT

Chad Perrine

Chad Perrine

ME: 486010

TELE: 39706

ELECTRICAL PLAN

Drawn by: Michael Lawrence
(G1115) - 4/20

Unit: Feet/Inches

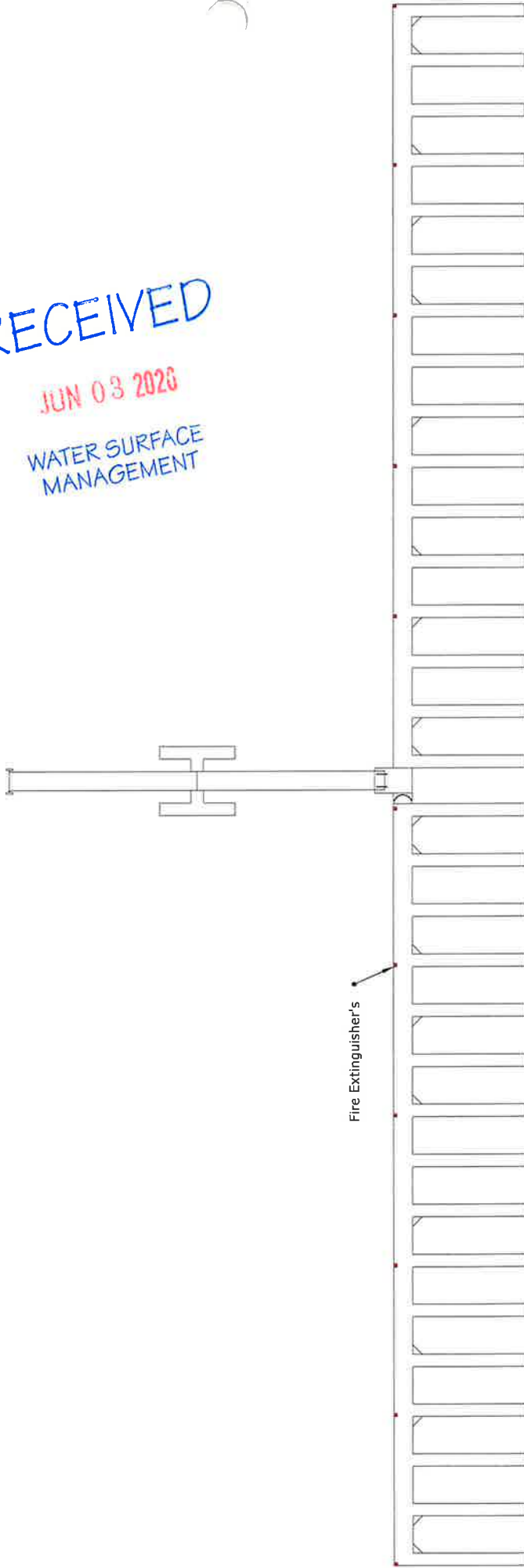
1001 House Deckchairs
2000 Waterway Dr. Lago Vista, Texas

A
01

RECEIVED

JUN 03 2023

WATER SURFACE
MANAGEMENT



CHRISTOPHER A. HEWITT
98422
PROFESSIONAL ENGINEER
STATE OF TEXAS

hp

Structural & Civil Engineering
3801 South Congress Avenue
Dallas, Texas 75216
972.381.1000
TX 75216
TBP# FRM # 5247
hollanawest@hp.com

Review is for general conformance with the structural design concept and compliance with building code loads. Engineer's seal and signature on this shop drawing are limited to the verification of structural capacity for the specified loads and do not constitute an "inspection" or approval of construction means, methods, techniques, sequences, or procedures. The Contractor remains solely responsible for jobsite safety, dimensions to be confirmed and correlated at the jobsite, and for the coordination of its work with that of all other trades. This review is subject to the Standard of Care and the Limitation of Liability provisions set forth in the Master Services Agreement between Engineer and Client.

Drawn By: Shane Lowrie

FEC Layout

Scale 1" = 30'



Boat House Dockominiums
20965 Waterside DR., Lago Vista, Texas

NO.	DATE	BY	REVISIONS	REMARKS
1				
2				
3				